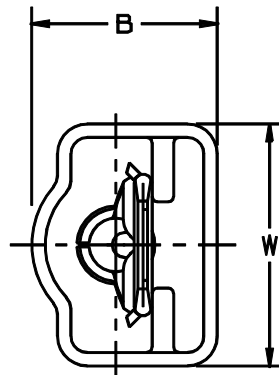
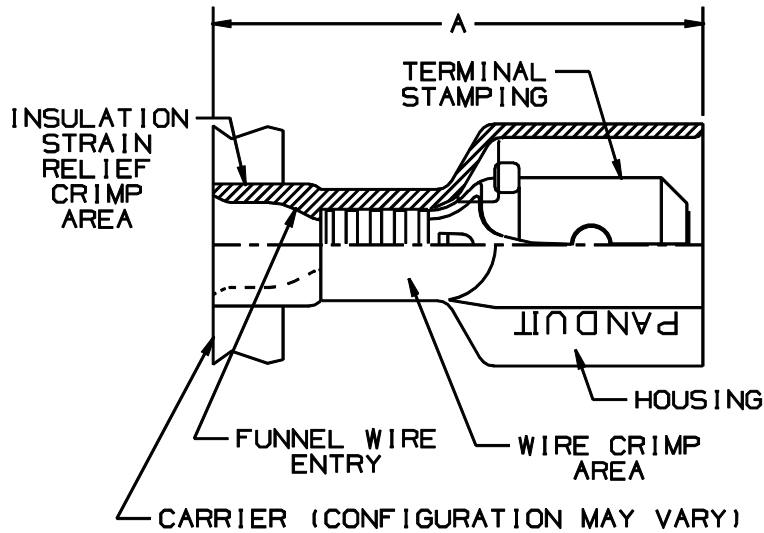
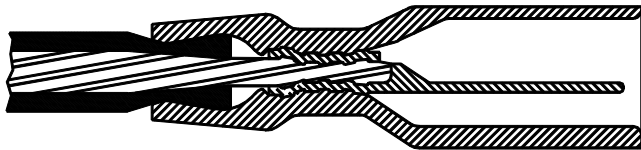


THIS COPY IS PROVIDED ON A RESTRICTED BASIS AND IS NOT TO BE USED IN ANY WAY DETRIMENTAL TO THE INTERESTS OF PANDUIT CORP.



NOTES:

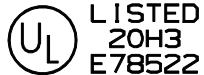
1. USED FOR:
  - A. 600V MAX VOLTAGE RATING
  - B. 221°F (105°C) MAX TEMP RATING
  - C. STRANDED COPPER WIRE ONLY
2. WIRE STRIP LENGTH:  $9/32^{+1/32}_{-0}$  (7.1<sup>+0.8</sup><sub>0</sub>)
3. MATERIAL:
  - A. STAMPING: NICKEL PLATED BRASS
  - B. HOUSING: PREMIUM GRADE NYLON FOR SUPERIOR STRAIN RELIEF INSULATION CRIMPING
4. PACKAGING: -K = 1000 PCS CONTINUOUS MOLDED STRIP CARRIER
5. DIMENSIONS IN BRACKETS ARE IN MILLIMETERS OR mm<sup>2</sup>



SECTION VIEW OF CRIMPED DISCONNECT

TOOL CHART RECOMMENDED PRESSES CP-861, CP-860 CP-851, CP-862		
CA-800 APPLICATOR DIE INSERTS		
CD-800-10 CA9-10B		
CD-800-11 CA9-11B		

PART NUMBER		TAB SIZE	WIRE RANGE AWG (mm <sup>2</sup> )	COLOR	MAX WIRE INSULATION DIAMETER	MIN WIRE INSULATION DIAMETER	DIMENSIONS in		
PREFIX	PK						A ± <sub>1.5</sub> <sup>.03</sup>	B ± <sub>1.5</sub> <sup>.02</sup>	W ± <sub>1.5</sub> <sup>.02</sup>
DPF18-250F1MB	-K	.250 X .032 (6.3 X 0.8)	22-18 (0.5-1.5)	RED	.133 (3.38)	.060 (1.52)	.92 (23.4)	.34 (8.6)	.46 (11.7)
DPF14-250F1MB	-K	.250 X .032 (6.3 X 0.8)	16-14 (1.5-2.5)	BLUE	.156 (3.96)	.090 (2.29)	.92 (23.4)	.34 (8.6)	.46 (11.7)



A41513\_04

04	1/01	RM		FILESPEC WAS N41513AA_PCD_03							<p>REELSMART™ DISCOGRIP™ PREMIUM NYLON FULLY INSULATED UNIVERSAL MALE DISCONNECT .250 X .032</p>
03	10/98	JKD		MATERIAL WAS TIN PLATED ADDED CP-862, CA9	07848						
02	10/96	TSM/RLS		UPDATED NOTES AND DIMENSIONS	05135	DH	LA				
01	2/93	BK/RLS		FILE SPEC WAS NPC_A41513_00 UPDATED UL/CSA	01448	DH	LA				
REV	DATE	BY	CHK	DESCRIPTION	ECN	QA	PM	SUP	CUST	APP	DRAWN BY KC CHK'D SCALE DRAWING NO A41513